

**61E900**

# **Illustrated Parts List**

## **Model Series**

# **61E900**

## **MARINE ENGINE**

## **ELECTRONIC FUEL INJECTION**

## **AIR COOLED      VERTICAL SHAFT**

TYPE NUMBER(S)  
0001, 0002, 0003, 0004.

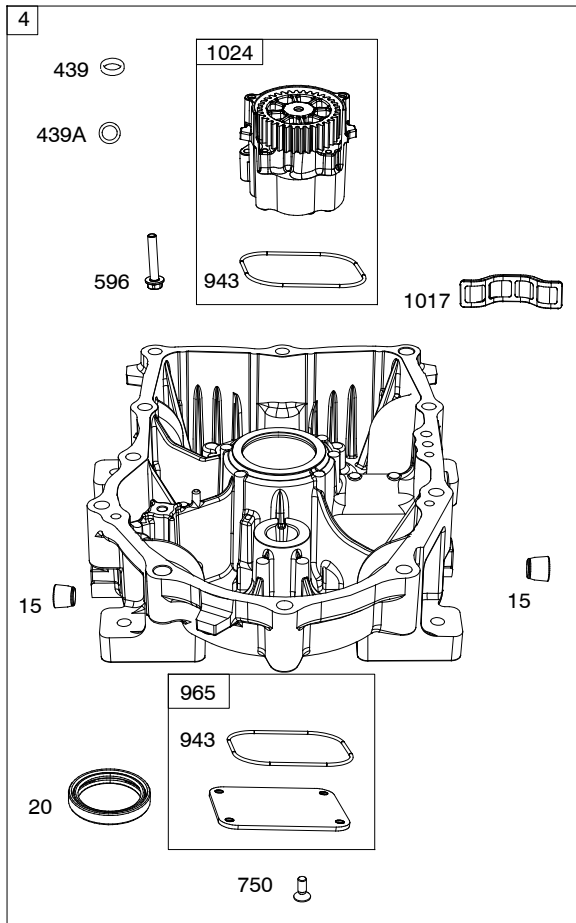
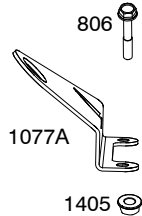
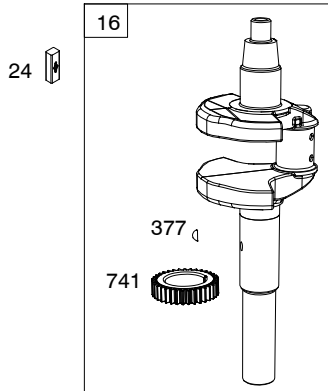
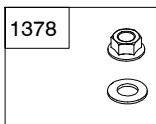
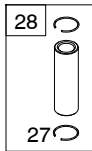
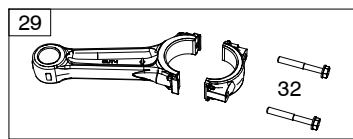
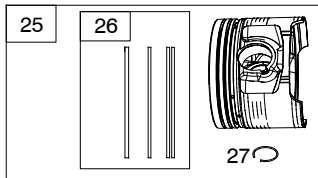
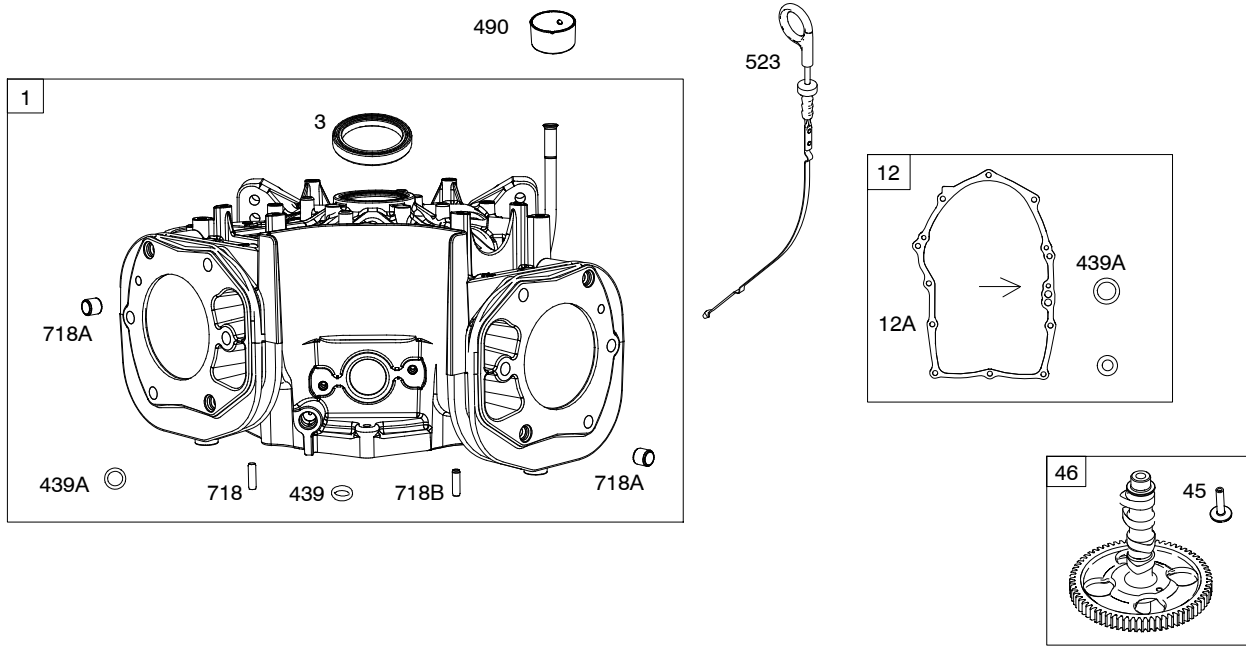


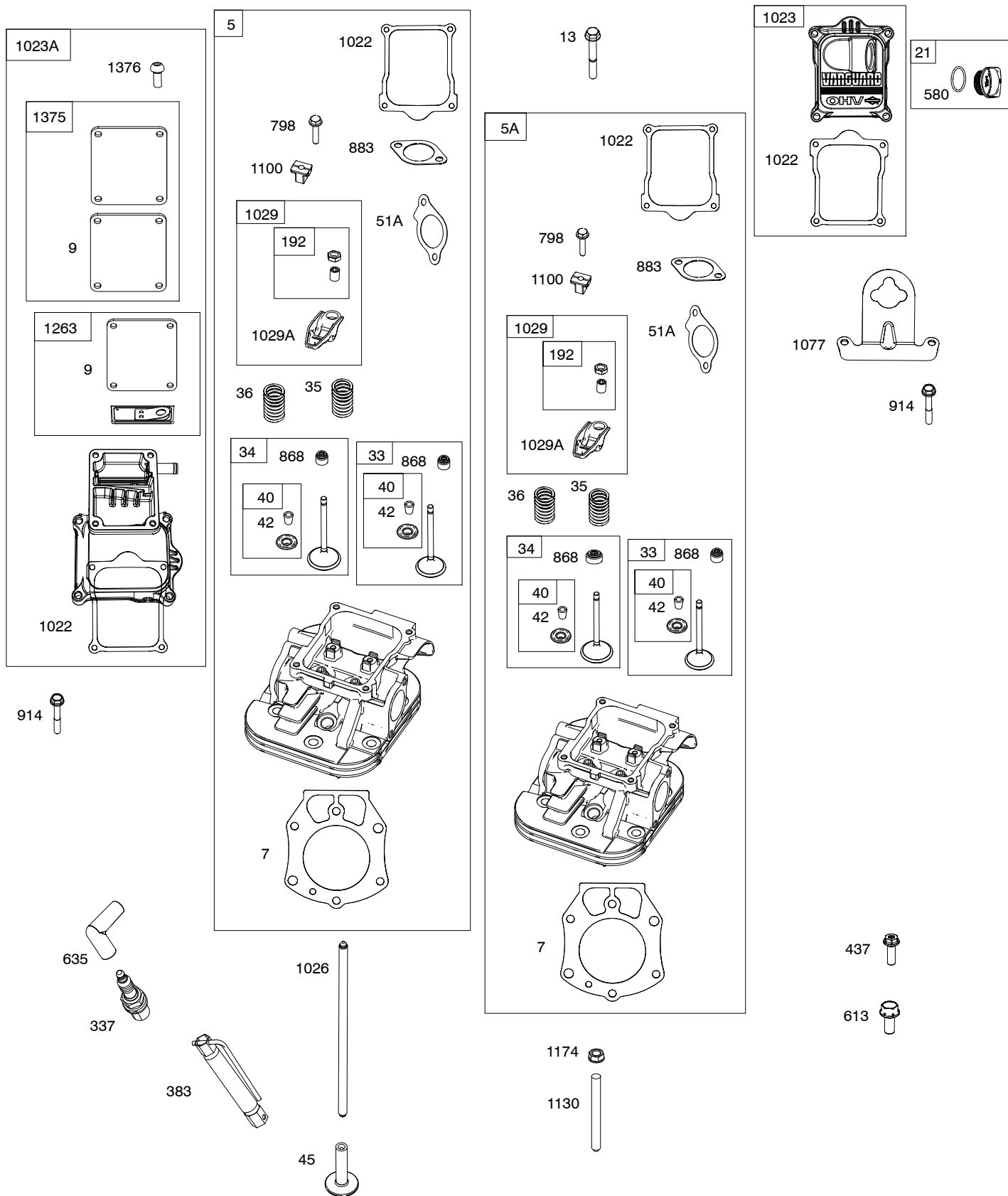
PRINTED IN U.S.A.

COPYRIGHT by BRIGGS & STRATTON CORPORATION  
All rights reserved. No part of this material may be reproduced or transmitted,  
in any form or by any means, electronic or mechanical, including photocopying,  
recording or by any information storage and retrieval system, without  
permission  
in writing from Briggs & Stratton Corporation

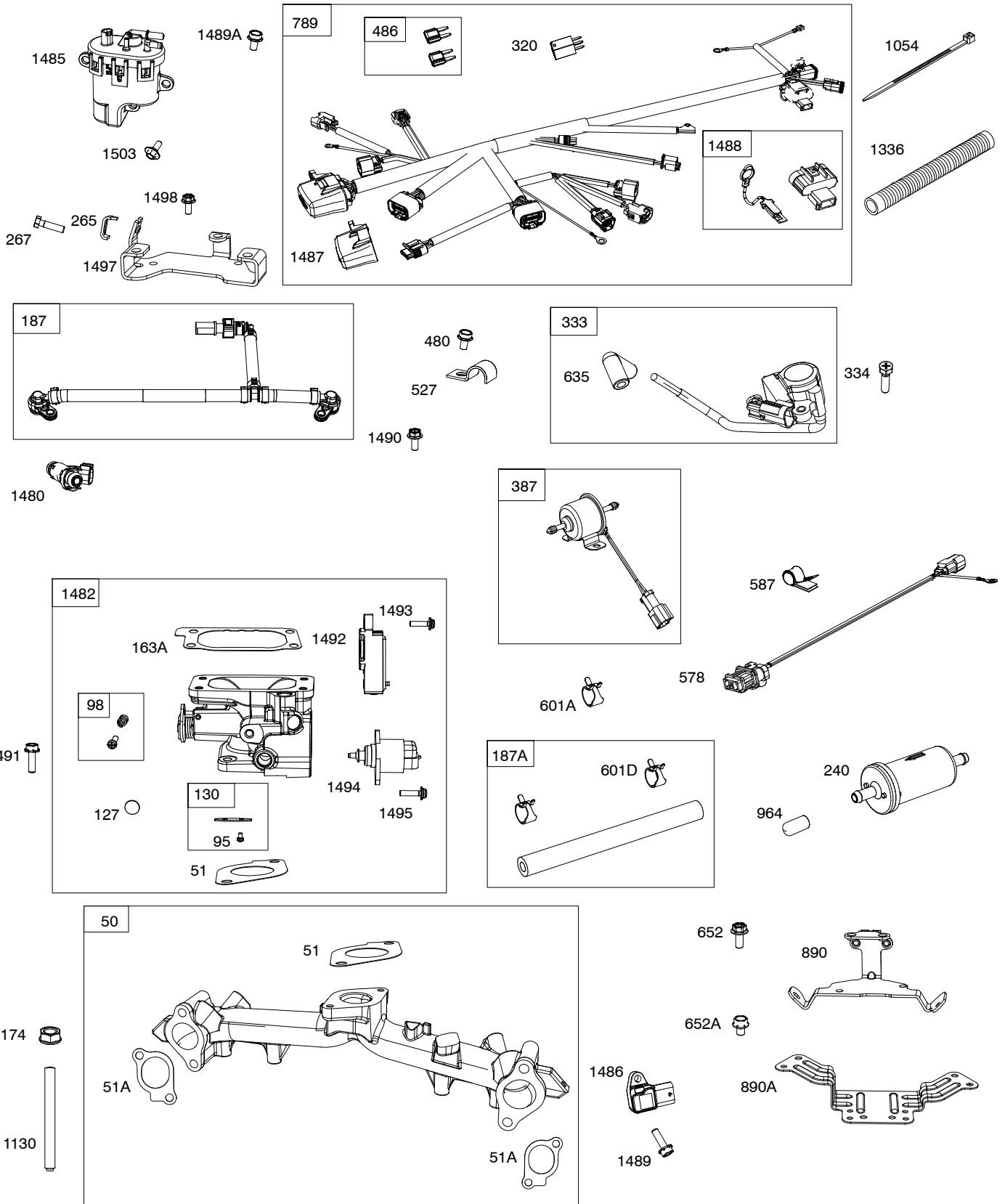
1036

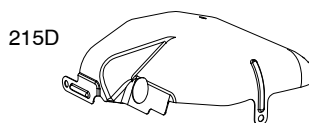
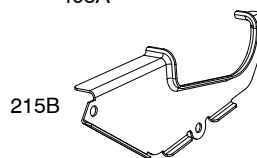
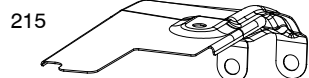
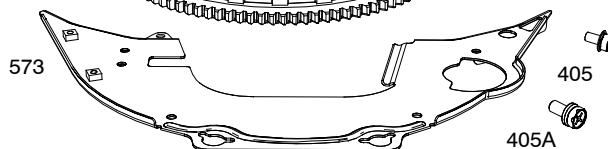
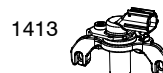
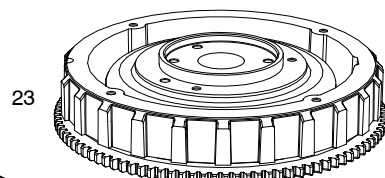
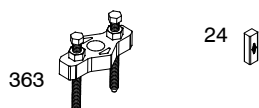
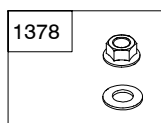
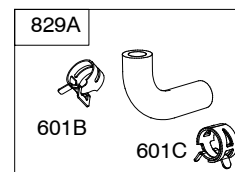
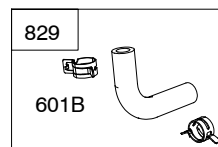
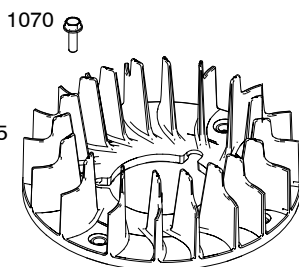
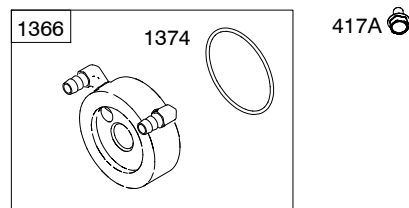
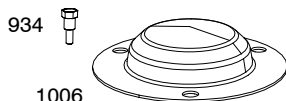
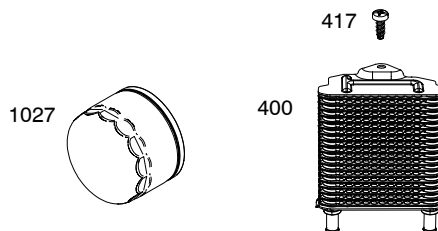
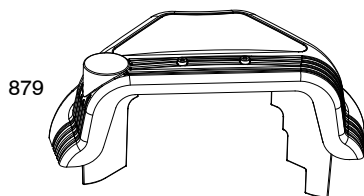
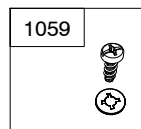
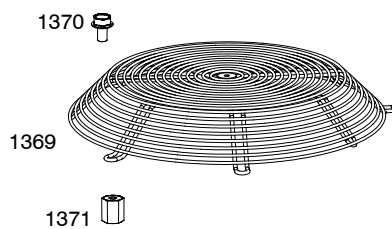
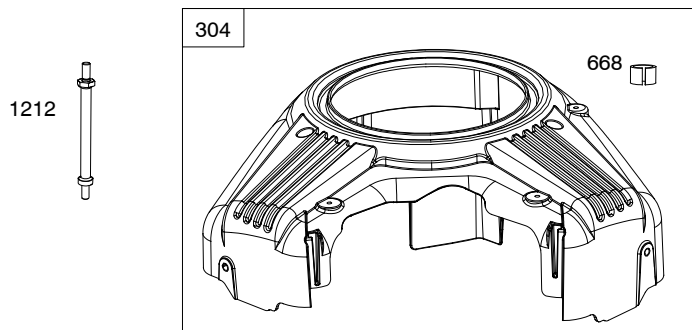
1330

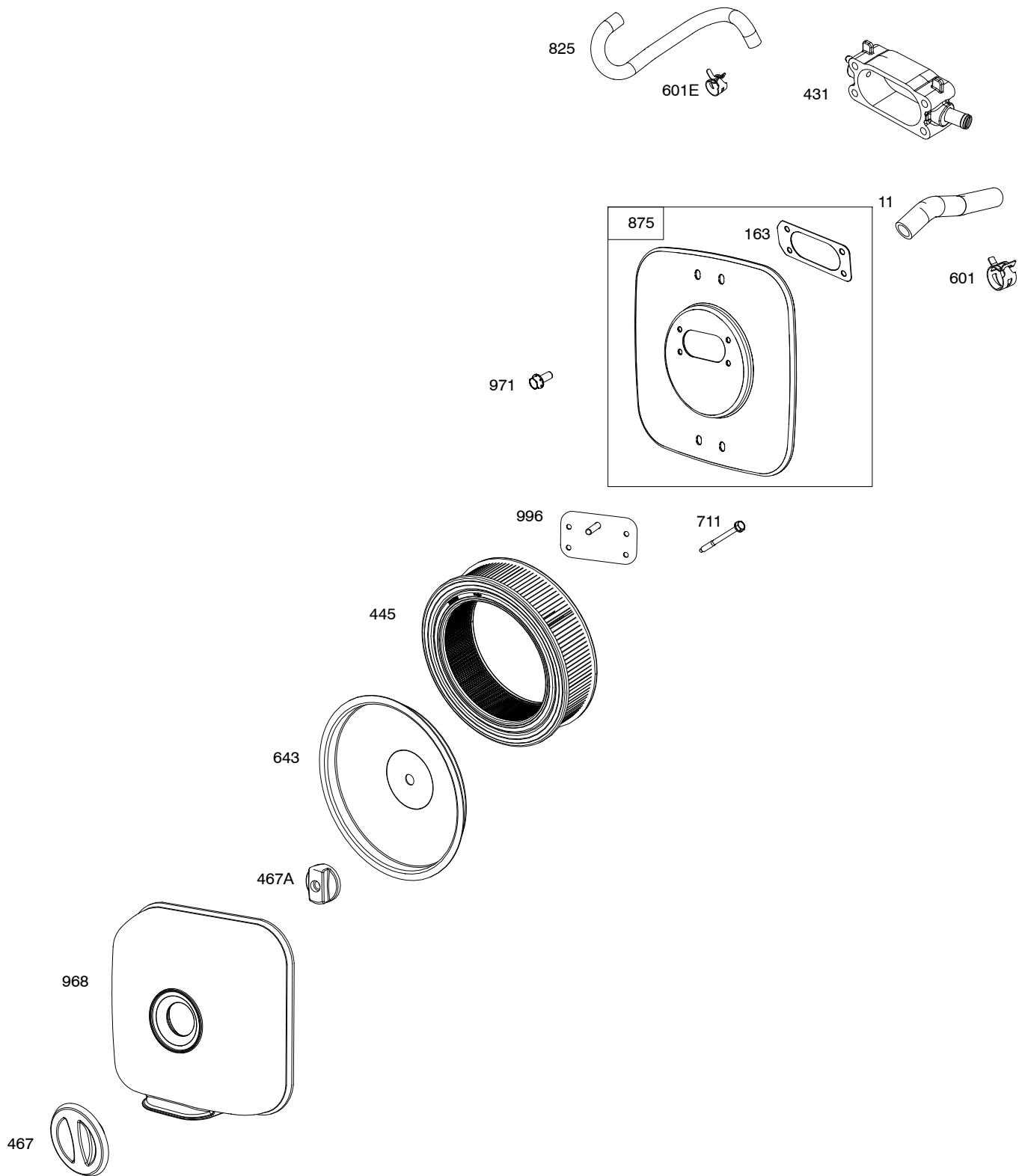


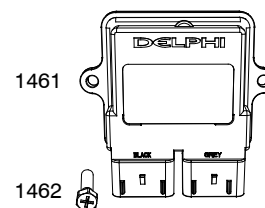
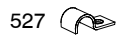
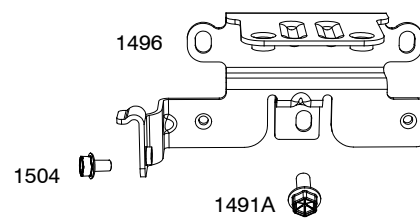
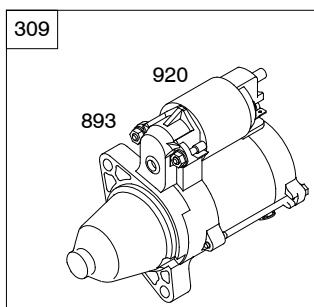
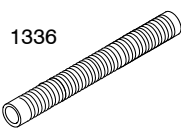
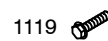
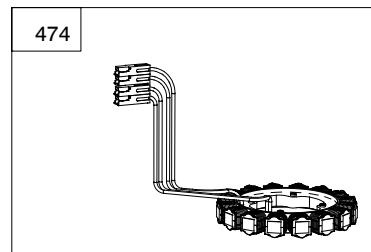
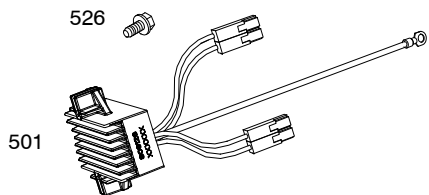


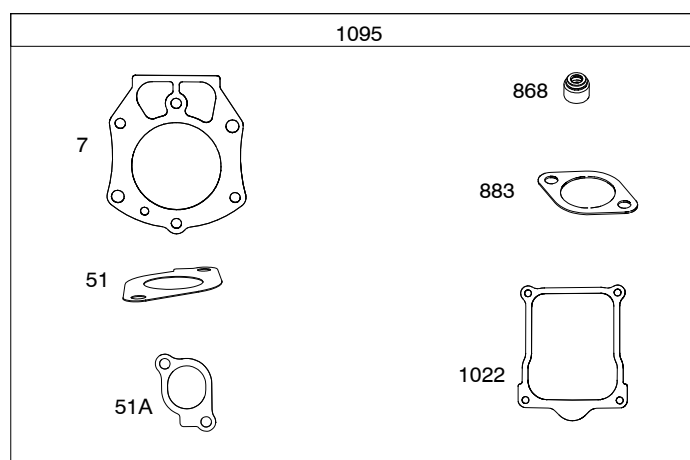
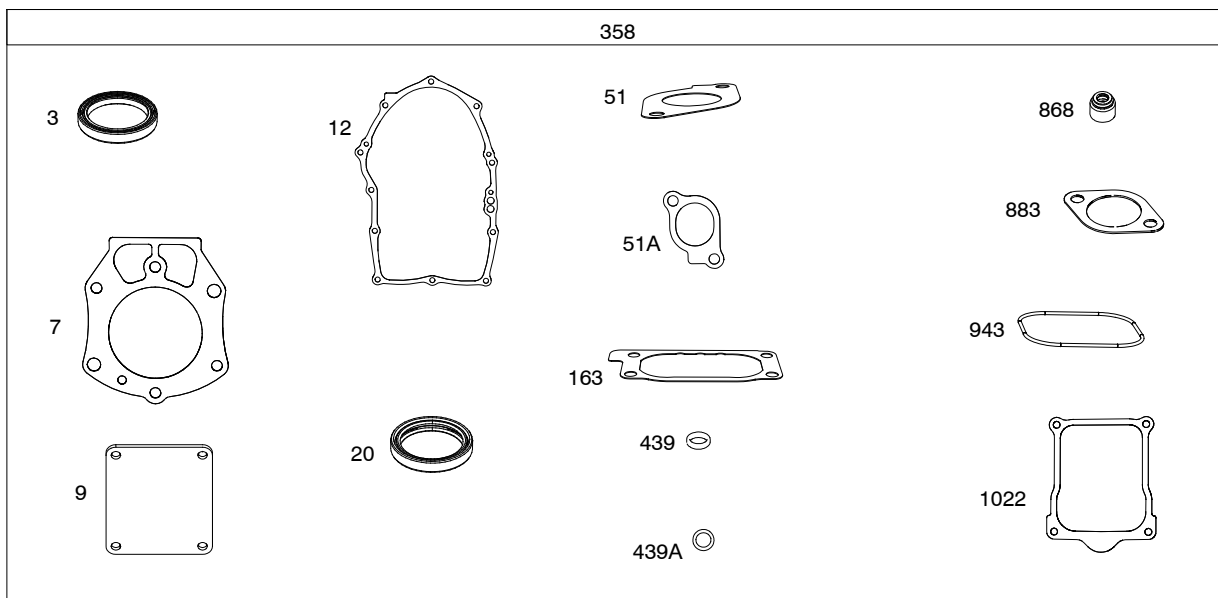
# 61E900













REF. NO.	PART NO.	DESCRIPTION	REF. NO.	PART NO.	DESCRIPTION	REF. NO.	PART NO.	DESCRIPTION
1	846465	Cylinder Assembly	35	845589	Spring-Valve (Intake)	333	846490	Armature-Magneto
3	841596	Seal-Oil (Magneto Side)			(Pink)	334	841552	Screw (Magneto Armature)
4	846466	Sump-Engine	36	845589	Spring-Valve (Exhaust)	337	491055s	Plug-Spark 0001, 0002.
5	846463	Head-Cylinder (Cylinder #1)			(Pink)			----- Note -----
5A	846464	Head-Cylinder (Cylinder #2)	40	844788	Retainer-Valve			792015 Plug-Spark
7	809730	Gasket-Cylinder Head	42	807683	Keeper-Valve			Used on Type No(s).
9	842545	Gasket-Breather	45	809785	Tappet-Valve			0003, 0004.
11	846462	Tube-Breather	46	809879	Camshaft	358	846498	Gasket Set-Engine
12	846037	Gasket-Crankcase	50	846472	Manifold-Intake	363	19203	Puller-Flywheel
12A	843969	Gasket-Crankcase	51	846473	Gasket-Intake (Intake Manifold/ Throttle Body)	377	691639	Key-Woodruff
13	809784	Screw (Cylinder Head) (M9x70mm)	51A	841592	Gasket-Intake	383	19576s	Wrench-Spark Plug
15	691680	Plug-Oil Drain	95	593897	Screw (Throttle Valve)	387	846470	Pump-Fuel
16	843354	Crankshaft Used on Type No(s). 0001, 0003.	98	846477	Kit-Idle Speed	400	846249	Cooler-Oil
		----- Note -----	127	691742	Plug-Welch	405	841233	Screw (Back Plate) (M6x10mm)
		842268 Crankshaft Used on Type No(s). 0002, 0004.	130	846476	Valve-Throttle	405A	841735	Screw (Back Plate) (M6x14mm)
20	841596	Seal-Oil (PTO Side)	163	843117	Gasket-Air Cleaner	415	794903	Plug (Oil Pressure Switch)
21	843464	Cap-Oil Fill	163A	807375	Gasket-Air Cleaner	417	846250	Screw (Oil Cooler) (Top) (M6x16mm)
22	690676	Screw (Crankcase Cover/Sump) (M8x63mm)	187	846500	Line-Fuel	417A	841233	Screw (Oil Cooler) (Bottom) (M6x10mm)
23	846461	Flywheel	187A	791766	Line-Fuel (15 Inches) (Cut To Required Length)			----- Note -----
24	796335	Key-Flywheel (Steel)			791745 Line-Fuel (23 Inches) (Cut To Required Length)	431	846482	Elbow-Intake
25	841837	Piston Assembly (Standard)	192	690083	Adjuster-Rocker Arm	437	809743	Screw (Exhaust Manifold) (M8x25mm)
		----- Note -----	215	846455	Guide-Air (Cylinder #1)	439	692154	O Ring-Oil Gallery (Crankcase Cover/Sump)
		842939 Piston Assembly (.020" Oversize)	215A	846460	Guide-Air (Valley)	439A	846027	O Ring-Oil Gallery (Crankcase Cover/Sump)
26	809972	Ring Set (Standard)	215B	846458	Guide-Air			
		----- Note -----	215C	809738	Guide-Air (Cylinder #1)			
		841932 Ring Set (.020" Oversize)	215D	809897	Guide-Air (Cylinder #2)	445	692519	Filter-Air Cleaner Cartridge
27	807351	Lock-Piston Pin	239	841281	Switch-Oil Pressure	467	846008	Knob-A/C Cover
28	807361	Pin-Piston	240	845125	Filter-Fuel	467A	846007	Knob-A/C Cover
29	841838	Rod-Connecting	265	691024	Clamp-Casing	474	841178	Alternator
32	807363	Screw (Connecting Rod)	267	841552	Screw (Casing Clamp)	480	841233	Screw (Tube Clamp)
33	844787	Valve-Exhaust	304	846481	Housing-Blower	486	593901	Fuse
34	846469	Valve-Intake	309	845761	Motor-Starter			
			320	593902	Relay(s)			

# 61E900

REF. NO.	PART NO.	DESCRIPTION	REF. NO.	PART NO.	DESCRIPTION	REF. NO.	PART NO.	DESCRIPTION
490	843433	Bearing-Magneto Side	741	809432	Gear-Timing	1054	280275	Tie-Cable
501	841170	Regulator	750	842537	Screw (Oil Pump Cover)	1059	845300	Kit-Screw/Washer (Carburetor Cover)
523	842542	Dipstick	789	846471	Harness-Wiring	1070	807435	Screw (Flywheel Fan)
526	690717	Screw (Regulator) (M6x30mm)	798	691492	Screw (Rocker Arm)	1077	809729	Bracket-Lifting
527	690423	Clamp-Tube	806	807362	Screw (Lifting Bracket) (M8x50mm)	1077A	842616	Bracket-Lifting
573	842712	Plate-Back	825	846491	Hose-Air	1095	846499	Gasket Set-Valve
578	846423	Wire Assembly	829	846248	Hose-Oil Cooler	1100	791959	Pivot-Rocker Arm
580	809894	Seal-O Ring (Oil Fill Cap)	829A	846247	Hose-Oil Cooler	1119	691552	Screw (Alternator)
587	807116	Clamp-Cable	868	691963	Seal-Valve	1130	841590	Stud (Intake Manifold)
596	807385	Screw (Oil Pump)	875	843118	Base-Air Cleaner	1174	842067	Nut (Intake Manifold)
601	844405	Clamp-Hose (Breather Tube)	879	846480	Cover-Carburetor	1212	809958	Stud (Blower Housing)
601A	691038	Clamp-Hose (Black)	883	809872	Gasket-Exhaust	1263	842544	Reed-Breather
601B	841597	Clamp-Hose (Oil Cooler Hose)	890	846492	Bracket-Support	1330	N/A	Repair Manual (Not Available At This Printing)
601C	845209	Clamp-Hose (Oil Cooler Hose)	890A	846493	Bracket-Support	1334	690677	Screw (Air Guide) (M8x12mm)
601D	791850	Clamp-Hose (Green)	893	845758	Nut (Starter Solenoid)	1334A	692062	Screw (Air Guide) (M8x18mm)
601E	846483	Clamp-Hose (Air Hose)	914	807357	Screw (Rocker Cover) (M6x40mm)	1334B	807084	Screw (Air Guide) (M6x14mm)
613	692062	Screw (Muffler) (M8x18mm)	920	845757	Solenoid-Starter	1334C	841233	Screw (Air Guide) (M6x10mm)
635	692076	Boot-Spark Plug	934	841205	Screw (Retainer Fan)	1334D	807435	Screw (Air Guide) (M6x20mm)
643	844932	Retainer-Air Filter	943	842538	Seal-O Ring (Oil Pump Cover)	1336	841015	Shield-Wire Protective (Cut to Required Length)
652	807084	Screw (Support Bracket) (M6x14mm)	964	590799	Cap-Connector (Fuel Filter)	1366	841510	Diverter-Oil Cooler
652A	845964	Screw (Support Bracket to Support Bracket) (M8x10mm)	965	842536	Cover-Oil Pump	1369	842858	Guard-Flywheel Fan
668	841974	Spacer (Blower Housing)	968	846323	Cover-Air Cleaner	1370	841233	Screw (Flywheel Fan Guard)
697	690711	Screw (Starter Motor)	971	692062	Screw (Air Cleaner Base)	1371	841537	Nut (Flywheel Fan Guard)
711	806444	Screw (Carburetor Shield)	996	846006	Shield-Carburetor	1374	841506	Seal-O Ring (Oil Cooler Diverter)
718	690959	Pin-Locating (Cylinder)	1005	809950	Fan-Flywheel	1375	842546	Cover-Breather Reed
718A	809508	Pin-Locating (Cylinder Head)	1006	846495	Fan-Retainer	1376	842547	Screw (Breather/Reed Cover)
718B	845925	Pin-Locating (Cylinder)	1013	841602	Nipple-Oil Filter			
			1017	842535	Screen-Oil Pump			
			1022	809732	Gasket-Rocker Cover			
			1023	842540	Cover-Rocker (Rocker Cover #2)			
			1023A	842543	Cover-Rocker (Rocker Cover #1)			
			1024	846026	Pump-Oil			
			1026	809783	Rod-Push (Intake and Exhaust)			
			1027	842921	Filter-Oil			
			1029	690972	Arm-Rocker			
			1029A	807323	Arm-Rocker Label-Emissions (Available from a Briggs & Stratton Authorized Dealer)			
			1036					

REF. NO.	PART NO.	DESCRIPTION	REF. NO.	PART NO.	DESCRIPTION	REF. NO.	PART NO.	DESCRIPTION
1378	844795	Washer/Nut Set (Flywheel)	1490	807084	Screw (Fuel Injector/Cap)	1503	691005	Screw (Fuel Module) (1/4-20x.68)
1405	690941	Nut (Lifting Bracket)	1491	807435	Screw (Throttle Body) (M6x20mm)	1504	841233	Screw (Fuse Cover) (Wire Harness) (M6x10mm)
1413	846457	Sensor-Speed	1491A	807084	Screw (Throttle Body) (M6x14mm)			
1461	846484	Engine Control Unit	1492	846478	Sensor-Throttle			
1462	841552	Screw (Engine Control Unit)	1493	807120	Screw (Throttle Sensor)			
1480	593852	Injector-Fuel	1494	846479	Valve-Idle Air			
1482	846474	Body-Throttle	1495	807120	Screw (Idle Air Valve)			
1485	593890	Module-Fuel	1496	846485	Bracket-ECU			
1486	593905	Sensor-TEMP/MAP	1497	846486	Bracket-Fuel Module			
1487	593900	Cover-Fuse	1498	807084	Screw (Fuel Module Bracket)			
1488	593899	Cover-Diagnostic	1502	807120	Screw (Speed Sensor) (M4x18mm)			
1489	807435	Screw (TEMP/MAP Sensor) (Intake Manifold) (M6x20mm)						
1489A	846459	Screw (Temperature Sensor to Cylinder Head) (M5x10mm) (Wire Harness)						

